

Program Description

The ACC Industrial Design Technology Program provides extensive hands on training. Courses within the program cover basic principles of engineering, drafting, and design as well as provide advanced specialized training in piping and mechanical design. Students may choose a general Industrial Design Technology degree to study the various disciplines that ACC has to offer. Specializations are also available for pipe design and mechanical design. This well-rounded education provides students with many opportunities and the necessary qualifications for employment as entry-level drafters.

Students of the Industrial Design Technology Program require problem solving and critical thinking, manual dexterity, artistic interest, technical drawing skill, craftsmanship, computing skills, self-discipline, and conceptual vision.

Career Opportunities

A few areas of opportunity for industrial design technicians include piping design, mechanical design, land development, machine design, and fabrication. Alvin Community College Industrial Design graduates have close to a 100% job placement rate. Many students find employment prior to graduation. According to www.onetonline.org the average salary for industrial design technicians in Texas is between \$43,000 and \$60,000 depending on specialization.

Options

Associate of Applied Science Degree

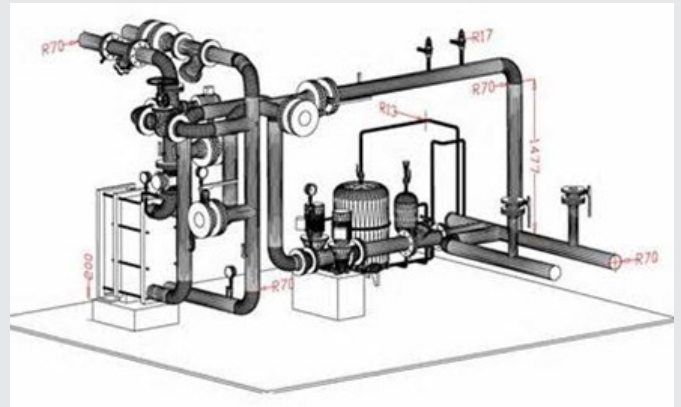
Industrial Design Technology 60 credit hours

- Specialization in Pipe Design
- Specialization in Mechanical Design

Certificate

Industrial Design Technology 30 credit hours

- Specialization in Pipe Design
- Specialization in Mechanical Design



For more information call 281-756-3784 or email IDT@alvincollege.edu.

Alvin Community College is an equal opportunity institution and does not discriminate against anyone on the basis of race, religion, color, sex, pregnancy, gender equity, sexual orientation, parental status, national origin, age, disability, family medical history or genetic information, political affiliation, military service or veterans status.

If you have a disability and need assistance or require special accommodations contact the Office of Disability Services at 281-756-3533 or ods@alvincollege.edu.



3110 Mustang Road

Alvin, Texas 77511

281-756-3500

www.AlvinCollege.edu

Revised 6/17

Associate of Applied Science Degree

FIRST YEAR	
First Semester	credits
DFTG 1409 - Basic Computer-Aided Drafting	4
+Select from Creative Arts Core Curriculum or +Select from Language, Philosophy & Culture Core Curriculum	3
+MATH 1314 - College Algebra	3
POFI 1204 - Computer Fundamentals	2
Second Semester	credits
DFTG 1405 - Technical Drafting	4
DFTG 2419 - Intermediate Computer-Aided Drafting	4
DFTG 2440 - Solid Modeling & Design	4
Third Semester	credits
^Specialization - Select courses from Mechanical, Piping or General Specialization	12
SECOND YEAR	
First Semester	credits
^Specialization - Select from Mechanical, Piping or General	4
+Select from Social & Behavioral Sciences Core Curriculum	3
+SPCH 1315 - Public Speaking or SPCH 1318 - Interpersonal Communication or SPCH 2335 - Argumentation & Debate	3
TEMC 1317 - Technical Trigonometry	3
Second Semester	credits
^Specialization - Select courses from Mechanical, Piping or General Specialization	4
+ENGL 1301 - Composition I	3
ENTC 1423 - Strength of Materials	4
Industrial Design Technology (A.A.S.) Degree – credit hours	60

+ Denotes core requirement. Speak with Department Chair or Academic Advisor for proper course selection.

^ Students must complete 20 credit hours in either the Mechanical, Piping or General areas of specialization.

*Capstone Course

Certificate

First Semester	credits
DFTG 1409 - Basic Computer-Aided Drafting	4
POFI 1204 - Computer Fundamentals	2
Second Semester	credits
DFTG 1405 - Technical Drafting	4
DFTG 2419 - Intermediate Computer-Aided Drafting	4
DFTG - 2440 - Solid Modeling & Design	4
Third Semester	credits
^Specialization - Select courses from Mechanical, Piping or General Sepcialization	12
Industrial Design Technology Certificate – credit hours	30

Associate of Applied Science Degree Specializations

General Specialization Courses

DFTG 2423 - Pipe Drafting

*DFTG 2445 - Advanced Pipe Drafting

DFTG 1433 - Mechanical Drafting

DFTG 1445 - Parametric Modeling & Design

*DFTG 2406 - Machine Design

Mechanical Specialization Courses

DFTG 1445 - Parametric Modeling & Design

DFTG 1433 - Mechanical Drafting

*DFTG 2450 - Geometric Dimensioning & Tolerancing

DFTG 2406 - Machine Design

DFTG 2435 - Advanced Technologies in Mechanical Drafting & Design

Piping Specialization Courses

DFTG 2457 - Advanced Tech Pipe Design & Drafting

DFTG 2423 - Pipe Drafting

ARCE 1452 - Structural Drafting

*DFTG 2445 - Advanced Pipe Drafting

DFTG 2430 - Civil Drafting

Certificate Specializations

General Specialization Courses

DFTG 2423 - Pipe Drafting

*DFTG 1433 - Mechanical Drafting

DFTG 1445 - Parametric Modeling & Design

Mechanical Specialization Courses

DFTG 1445 - Parametric Modeling & Design

DFTG 1433 - Mechanical Drafting

*DFTG 2406 - Machine Design

Piping Specialization Courses

DFTG 2457 - Advanced Tech Pipe Design & Drafting

DFTG 2423 - Pipe Drafting

*DFTG 2445 - Advanced Pipe Drafting